



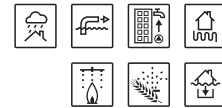
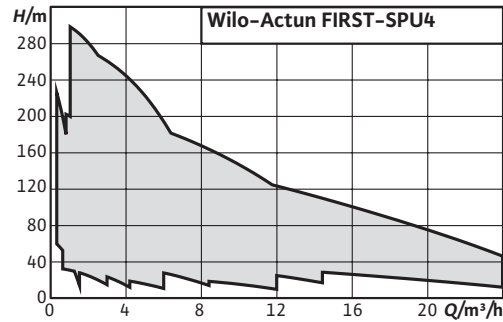
Pioneering for You

Range leaflet - Edition 03/2018 - 50 Hz

Wilo-Actun FIRST-SPU4



<https://szivattyuk.hu/wilo-actun-spu4-buvarszivattyu.html>



Wilo-Actun FIRST-SPU4

Design

Multistage 4" submersible pump in jacketed construction for vertical and horizontal installation

Application

- For water supply from boreholes and rainwater storage tanks
- For domestic water supply, sprinkling and irrigation
- Pressure boosting
- Lowering the water level
- For pumping water without long-fibre and abrasive constituents

Type key

- E.g. **Wilo-Actun FIRST-SPU4.01-10-B/XI4-50-1-230**
- Actun** Family name borehole pumps
 - FIRST** Product series (basic)
 - SPU** Product type, Submersible pump for universal use with thermoplastic impellers
 - 4** Nominal pump diameter in inch
 - 01** Nominal flow in m³/h
 - 10** Number of stages
 - B** Technical Generation
 - XI** Indicates mounted motor series with predominant stainless steel material (Inox)
 - 4** Nominal motor diameter in inch
 - 50-1-** Electrical execution; 50 Hz, 1~ 230 V
 - 230**

Technical data

- Mains connection: 1~230 V, 50 Hz or 3~400 V, 50 Hz
- Submerged operating mode: S1

Special features/product advantages

- Parts that come in contact with fluids are corrosion-free
- Integrated non-return valve
- Low-wearing due to floating impellers
- Maintenance-friendly motor

- Fluid temperature: 3–30 °C
- Minimum flow rate at motor: 0.08 m/s
- Max. sand content: 150 g/m³
- Max. number of starts: 20/h
- Max. submersion depth: 200 m
- Protection class: IP 68
- Pressure connection: Rp 1¼ - Rp 2

Equipment/function

- Multistage submersible-motor pump with radial or semi-axial impellers
- Rewindable oil filled motor
- Integrated non-return valve
- NEMA coupling
- Single-phase or three-phase motor

Description/design

Submersible-motor pump for vertical or horizontal installation.

Hydraulics

Multistage submersible-motor pump with radial or semi-axial impellers in jacket design. Integrated non-return valve. All parts in contact with the fluid are made of corrosion-free materials.

Motor

Rewindable, corrosion-free single-phase or three-phase motor for direct starting. Sealed by mechanical seal with self-lubricating bearings, with oil filling.

Cooling

The motor is cooled by the fluid. The motor must always be operated in submerged state. The limit values for the max. fluid temperature and the minimum flow rate must not be exceeded. Vertical installation is possible optionally with or without cooling jacket. Cooling jacket is required for horizontal installation.

Materials

- Hydraulic housing: Stainless steel 1.4301
- Impellers: Noryl
- Hydraulics shaft: 1.4104 stainless steel

- Motor housing: Stainless steel 1.4301
- Motor shaft: 1.4305 stainless steel

Options

- Motor versions for special voltages 3~230 V, 50 Hz; 3~400 V, 50 Hz; 1~230 V, 60 Hz; 3~230 V, 60 Hz; 3~380 V, 60 Hz; 3~460 V, 60 Hz

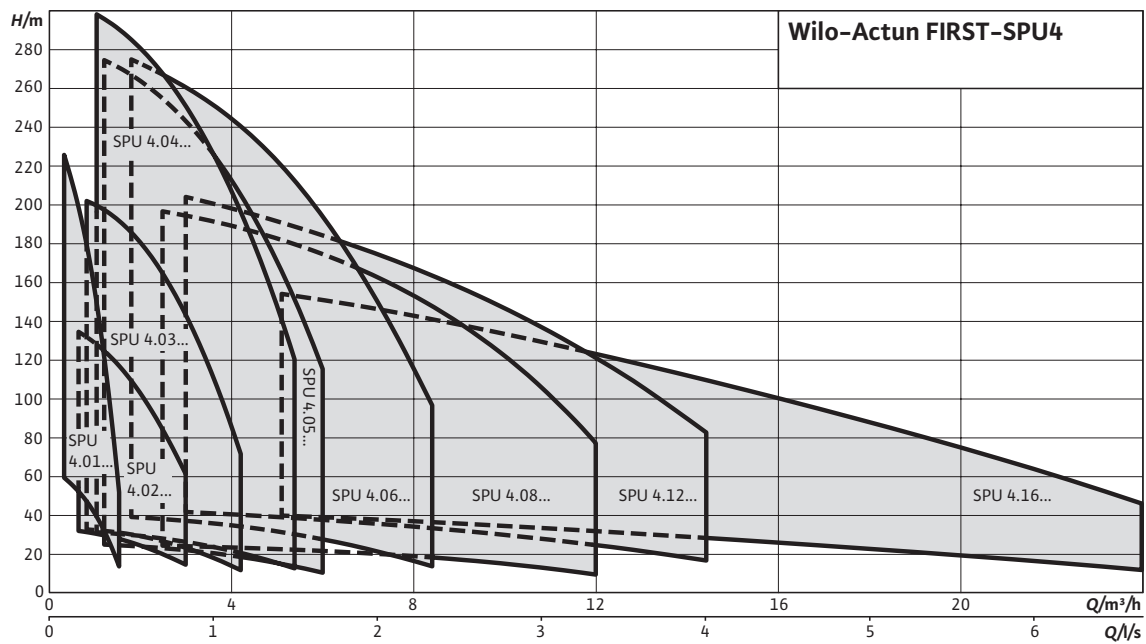
Scope of delivery

- Hydraulics + motor completely assembled
- 2.0/2.5 m connection cable (cross-section: 4x1.5 mm²)
- Installation and operating instructions

Configuration

- No suction mode is possible with these units!
- The unit must be fully immersed in water during operation.

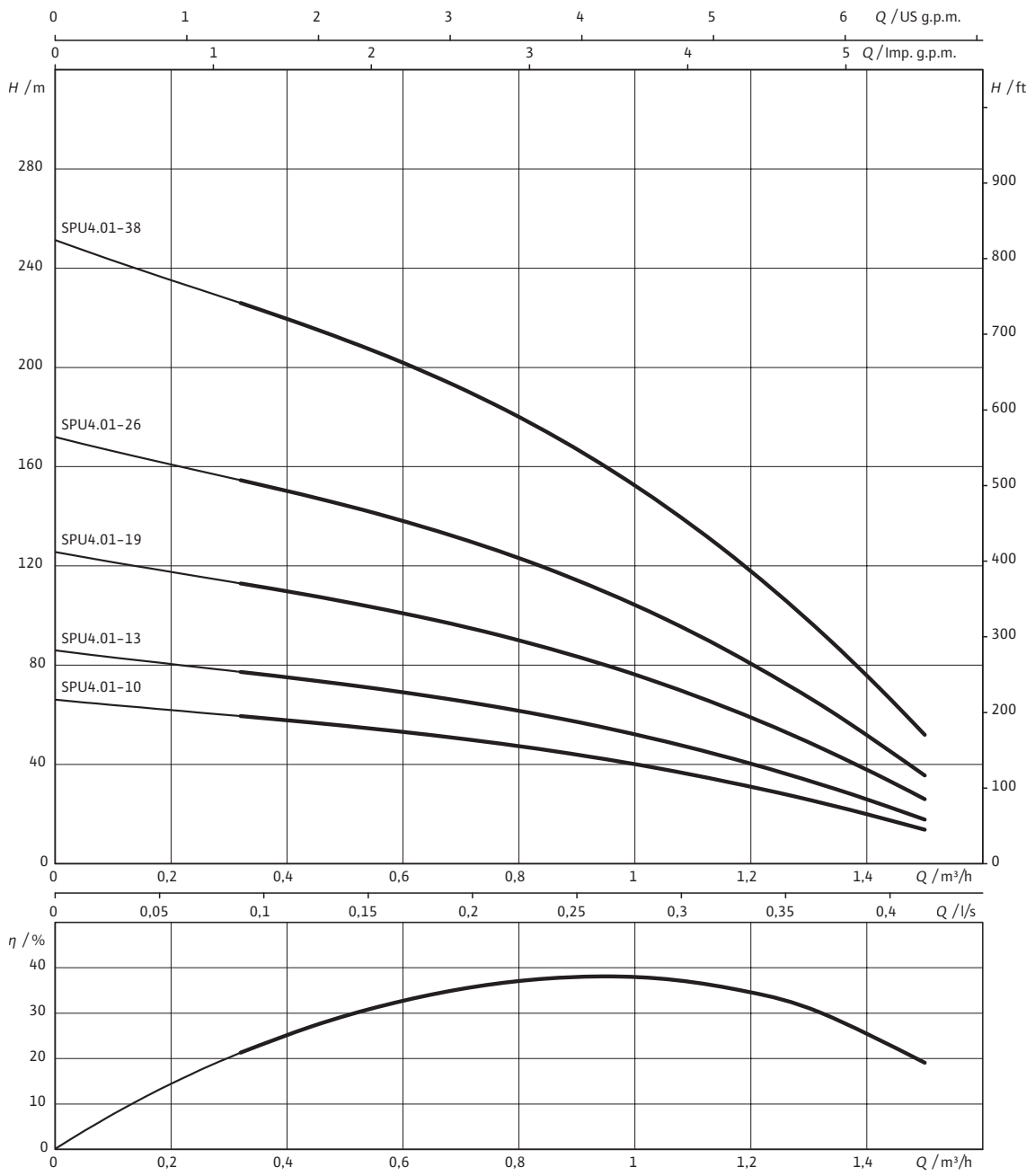
Pump curves



Raw water intake

4 Single pumps

Pump curves FIRST-SPU4.01



1~230 V, 50 Hz up to 2,2 kW; 3~400 V, 50 Hz, $\rho = 1 \text{ kg/dm}^3$, $\nu = 1 \times 10^{-6} \text{ m}^2/\text{s}$, ISO 9906 Annex A

Wilo Water supply catalogue – 50 Hz – edition 2017/2018 – subject to change without prior notice

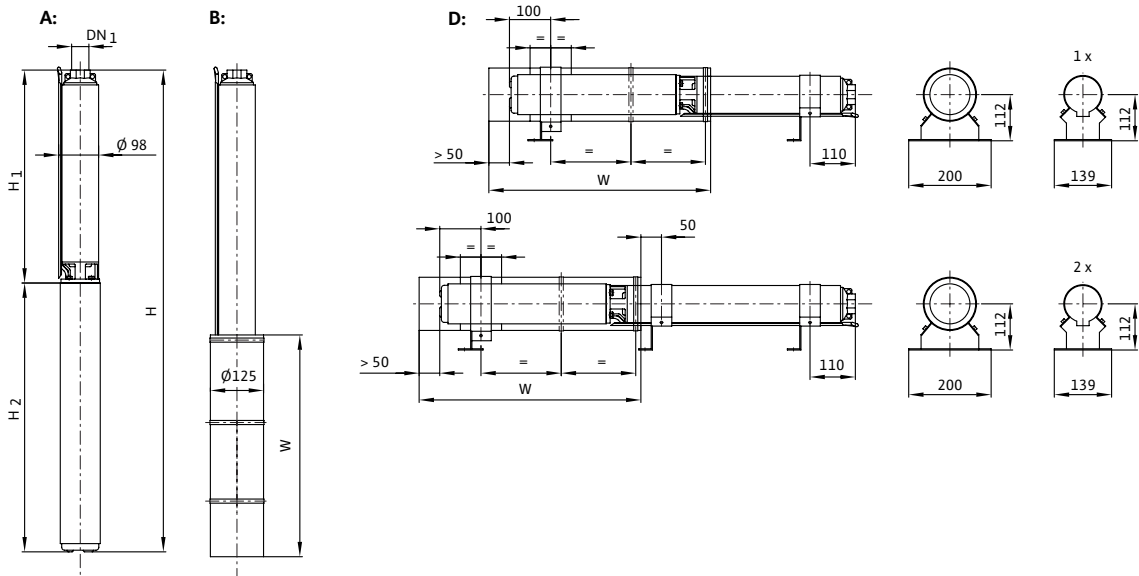
Motor data						
Wilo-Actun FIRST...	Mains connection	Motor diameter	Rated power	Rated current	Length of connecting cable	Cable cross-section
		∅ "	P_2 kW	I_N A	m	mm ²
SPU4.01-10-B/XI4	1~230 V, 50 Hz	98	0.37	3.3	2	4x1,5
SPU4.01-10-B/XI4	3~400 V, 50 Hz	98	0.37	1.1	2	4x1,5
SPU4.01-13-B/XI4	1~230 V, 50 Hz	98	0.37	3.3	2	4x1,5
SPU4.01-13-B/XI4	3~400 V, 50 Hz	98	0.37	1.1	2	4x1,5
SPU4.01-19-B/XI4	1~230 V, 50 Hz	98	0.55	4.4	2	4x1,5
SPU4.01-19-B/XI4	3~400 V, 50 Hz	98	0.55	1.6	2	4x1,5
SPU4.01-26-B/XI4	1~230 V, 50 Hz	98	0.75	5.7	2	4x1,5
SPU4.01-26-B/XI4	3~400 V, 50 Hz	98	0.75	2	2	4x1,5
SPU4.01-38-B/XI4	1~230 V, 50 Hz	98	1.10	8.3	2	4x1,5
SPU4.01-38-B/XI4	3~400 V, 50 Hz	98	1.10	2.8	2	4x1,5

Information for order placements			
Wilo-Actun FIRST	Mains connection	Type of motor	Art no.
SPU4.01-10-B/XI4	1~230 V, 50 Hz	XI4-OR-0,37	6083317
SPU4.01-10-B/XI4	3~400 V, 50 Hz	XI4-OR-0,37	6083356
SPU4.01-13-B/XI4	1~230 V, 50 Hz	XI4-OR-0,37	6083318
SPU4.01-13-B/XI4	3~400 V, 50 Hz	XI4-OR-0,37	6083357
SPU4.01-19-B/XI4	1~230 V, 50 Hz	XI4-OR-0,55	6083319
SPU4.01-19-B/XI4	3~400 V, 50 Hz	XI4-OR-0,55	6083358
SPU4.01-26-B/XI4	1~230 V, 50 Hz	XI4-OR-0,75	6083320
SPU4.01-26-B/XI4	3~400 V, 50 Hz	XI4-OR-0,75	6083359
SPU4.01-38-B/XI4	1~230 V, 50 Hz	XI4-OR-1,1	6083321
SPU4.01-38-B/XI4	3~400 V, 50 Hz	XI4-OR-1,1	6083360

Raw water intake

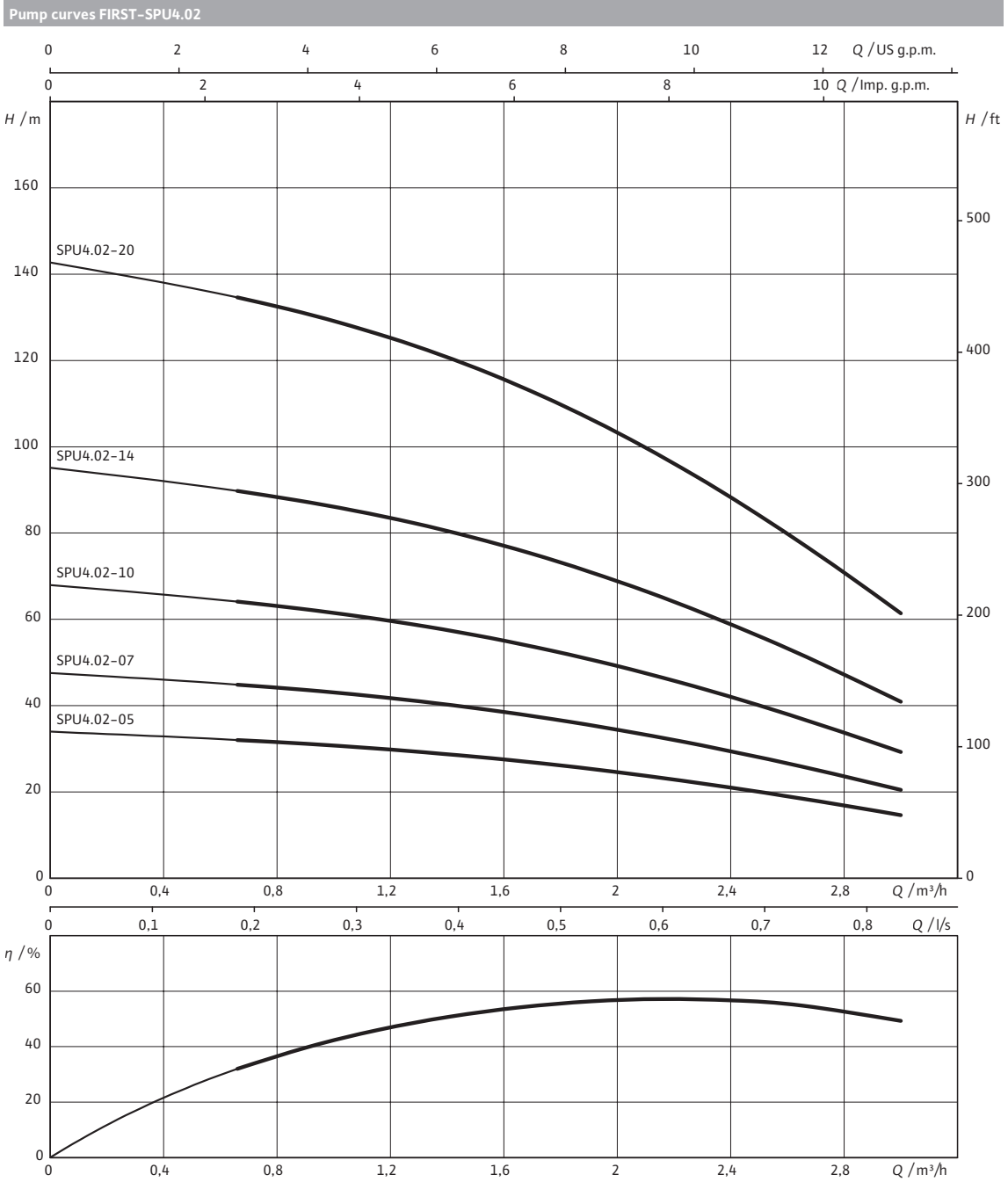
6 Single pumps

Dimension drawing Wilo-Xiro SPC



Dimensions, weights

Wilo-Actun FIRST...	Mains connection	Dimensions			Weight approx. m kg	Installation
		H1	H2 mm	H		
SPU4.01-10-B/XI4	1~230 V, 50 Hz	327	361	688	11.9	A, B, D
SPU4.01-10-B/XI4	3~400 V, 50 Hz	327	346	673	11	A, B, D
SPU4.01-13-B/XI4	1~230 V, 50 Hz	381	361	742	12.3	A, B, D
SPU4.01-13-B/XI4	3~400 V, 50 Hz	381	346	727	11.4	A, B, D
SPU4.01-19-B/XI4	1~230 V, 50 Hz	486	381	867	14	A, B, D
SPU4.01-19-B/XI4	3~400 V, 50 Hz	486	361	847	13.2	A, B, D
SPU4.01-26-B/XI4	1~230 V, 50 Hz	648	401	1049	16.2	A, B, D
SPU4.01-26-B/XI4	3~400 V, 50 Hz	648	381	1029	15.3	A, B, D
SPU4.01-38-B/XI4	1~230 V, 50 Hz	911	441	1352	21.4	A, B, D
SPU4.01-38-B/XI4	3~400 V, 50 Hz	911	401	1312	19.6	A, B, D



1~230 V, 50 Hz up to 2,2 kW; 3~400 V, 50 Hz, $\rho = 1 \text{ kg/dm}^3$, $\nu = 1 \times 10^{-6} \text{ m}^2/\text{s}$, ISO 9906 Annex A

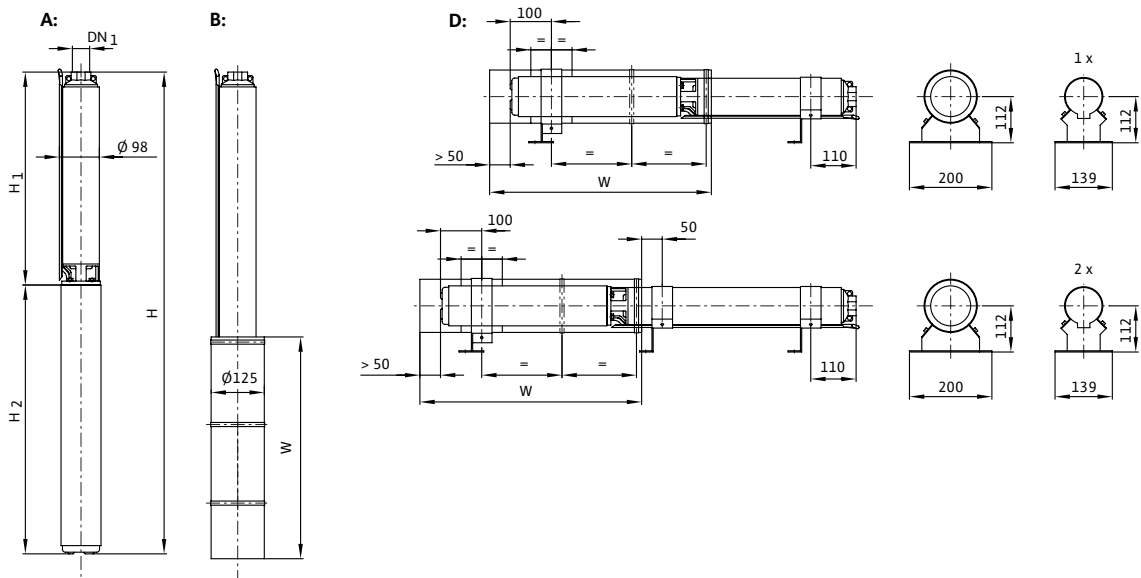
Wilo Water supply catalogue – 50 Hz – edition 2017/2018 – subject to change without prior notice

Raw water intake

8 Single pumps

Information for order placements			
Wilo-Actun FIRST	Mains connection	Type of motor	Art no.
SPU4.02-05-B/XI4	1~230 V, 50 Hz	XI4-OR-0,37	6083322
SPU4.02-05-B/XI4	3~400 V, 50 Hz	XI4-OR-0,37	6083361
SPU4.02-07-B/XI4	1~230 V, 50 Hz	XI4-OR-0,37	6083323
SPU4.02-07-B/XI4	3~400 V, 50 Hz	XI4-OR-0,37	6083362
SPU4.02-10-B/XI4	1~230 V, 50 Hz	XI4-OR-0,55	6083324
SPU4.02-10-B/XI4	3~400 V, 50 Hz	XI4-OR-0,55	6083363
SPU4.02-14-B/XI4	1~230 V, 50 Hz	XI4-OR-0,75	6083325
SPU4.02-14-B/XI4	3~400 V, 50 Hz	XI4-OR-0,75	6083364
SPU4.02-20-B/XI4	1~230 V, 50 Hz	XI4-OR-1,1	6083326
SPU4.02-20-B/XI4	3~400 V, 50 Hz	XI4-OR-1,1	6083365

Dimension drawing Wilo-Xiro SPC

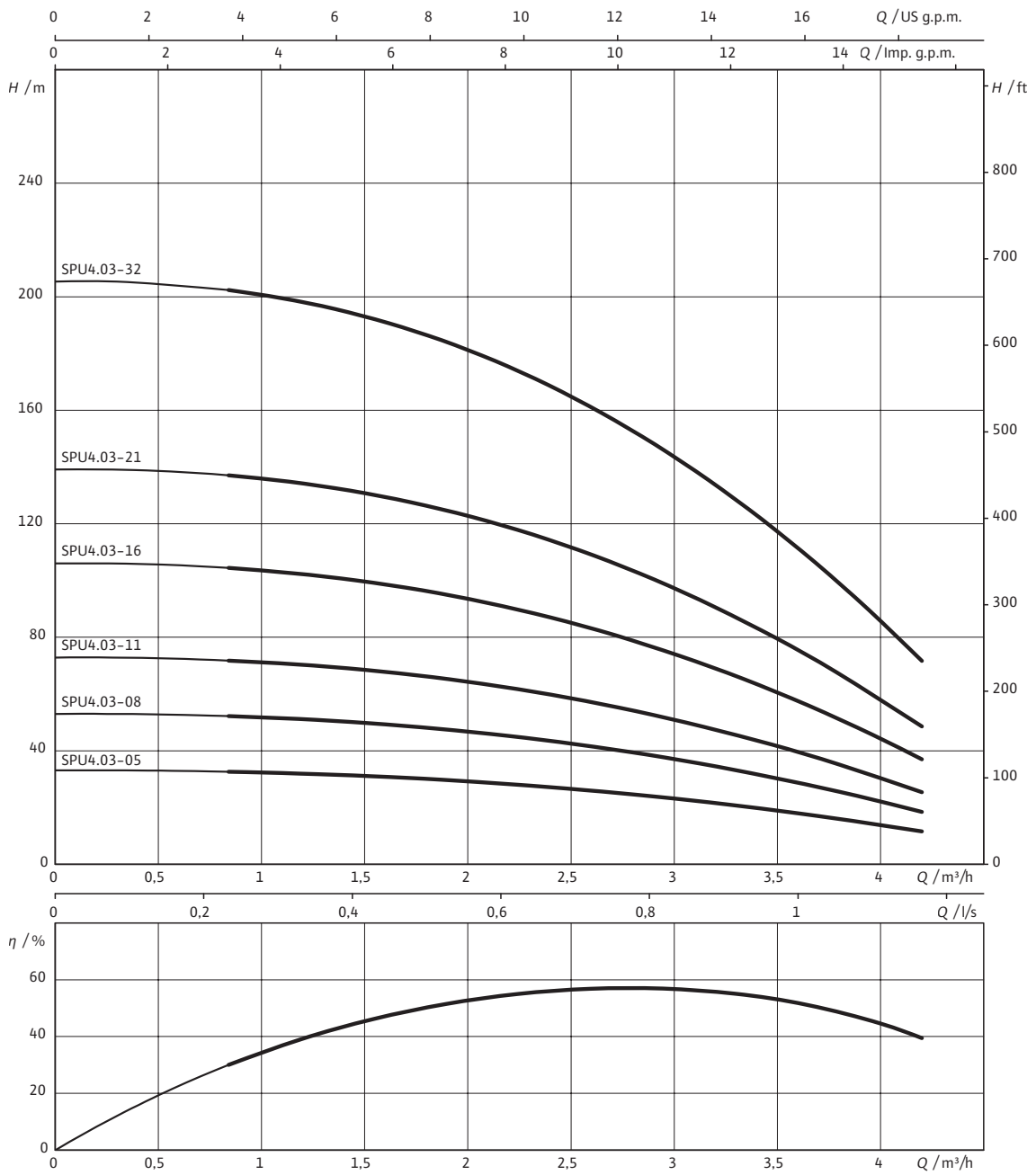


Dimensions, weights

Wilo-Actun FIRST...	Mains connection	Dimensions			Weight approx. m kg	Installation
		H1	H2 mm	H		
SPU4.02-05-B/XI4	1~230 V, 50 Hz	234	361	595	11.1	A, B, D
SPU4.02-05-B/XI4	3~400 V, 50 Hz	234	346	580	10.2	A, B, D
SPU4.02-07-B/XI4	1~230 V, 50 Hz	268	361	629	11.4	A, B, D
SPU4.02-07-B/XI4	3~400 V, 50 Hz	268	346	614	10.5	A, B, D
SPU4.02-10-B/XI4	1~230 V, 50 Hz	321	381	702	12.6	A, B, D
SPU4.02-10-B/XI4	3~400 V, 50 Hz	321	361	682	11.8	A, B, D
SPU4.02-14-B/XI4	1~230 V, 50 Hz	390	401	791	14.3	A, B, D
SPU4.02-14-B/XI4	3~400 V, 50 Hz	390	381	771	13.4	A, B, D
SPU4.02-20-B/XI4	1~230 V, 50 Hz	494	441	935	17.1	A, B, D
SPU4.02-20-B/XI4	3~400 V, 50 Hz	494	401	895	15.3	A, B, D

10 Raw water intake
Single pumps

Pump curves FIRST-SPU4.03



1~230 V, 50 Hz up to 2,2 kW; 3~400 V, 50 Hz, $\rho = 1 \text{ kg/dm}^3$, $\nu = 1 \times 10^{-6} \text{ m}^2/\text{s}$, ISO 9906 Annex A

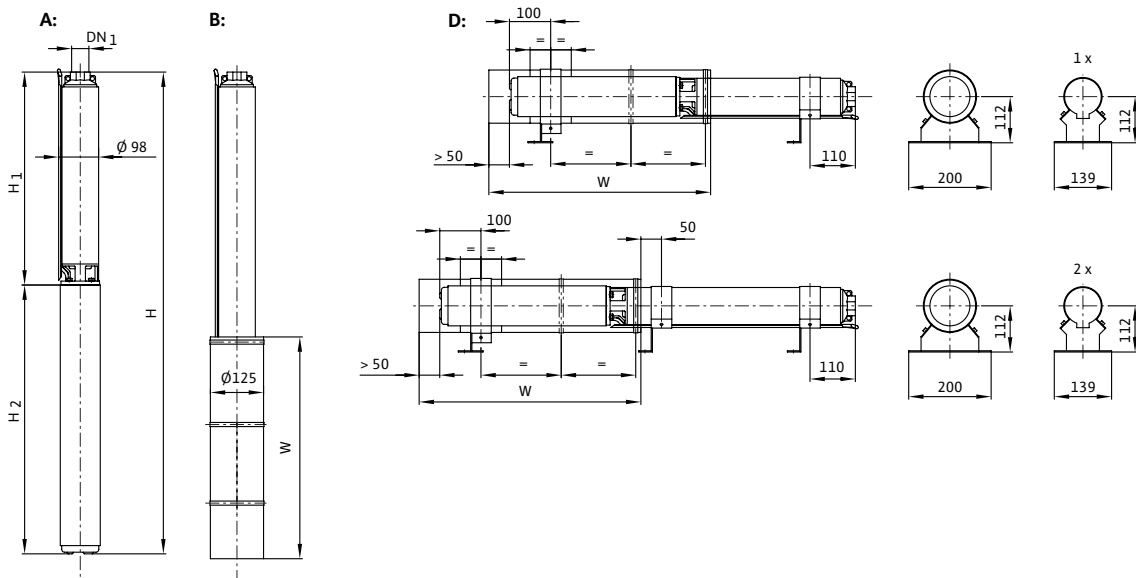
Wilo Water supply catalogue – 50 Hz – edition 2017/2018 – subject to change without prior notice

Motor data						
Wilo-Actun FIRST...	Mains connection	Motor diameter	Rated power	Rated current	Length of connecting cable	Cable cross-section
		∅ "	P_2 kW	I_N A	m	mm ²
SPU4.03-05-B/XI4	1~230 V, 50 Hz	98	0.37	3.3	2	4x1,5
SPU4.03-05-B/XI4	3~400 V, 50 Hz	98	0.37	1.1	2	4x1,5
SPU4.03-08-B/XI4	1~230 V, 50 Hz	98	0.55	4.4	2	4x1,5
SPU4.03-08-B/XI4	3~400 V, 50 Hz	98	0.55	1.6	2	4x1,5
SPU4.03-11-B/XI4	1~230 V, 50 Hz	98	0.75	5.7	2	4x1,5
SPU4.03-11-B/XI4	3~400 V, 50 Hz	98	0.75	2	2	4x1,5
SPU4.03-16-B/XI4	1~230 V, 50 Hz	98	1.10	8.3	2	4x1,5
SPU4.03-16-B/XI4	3~400 V, 50 Hz	98	1.10	2.8	2	4x1,5
SPU4.03-21-B/XI4	1~230 V, 50 Hz	98	1.50	10.7	2	4x1,5
SPU4.03-21-B/XI4	3~400 V, 50 Hz	98	1.50	3.8	2	4x1,5
SPU4.03-32-B/XI4	1~230 V, 50 Hz	98	2.20	14.2	2	4x1,5
SPU4.03-32-B/XI4	3~400 V, 50 Hz	98	2.20	5.3	2	4x1,5

Information for order placements			
Wilo-Actun FIRST	Mains connection	Type of motor	Art no.
SPU4.03-05-B/XI4	1~230 V, 50 Hz	XI4-OR-0,37	6083327
SPU4.03-05-B/XI4	3~400 V, 50 Hz	XI4-OR-0,37	6083366
SPU4.03-08-B/XI4	1~230 V, 50 Hz	XI4-OR-0,55	6083328
SPU4.03-08-B/XI4	3~400 V, 50 Hz	XI4-OR-0,55	6083367
SPU4.03-11-B/XI4	1~230 V, 50 Hz	XI4-OR-0,75	6083329
SPU4.03-11-B/XI4	3~400 V, 50 Hz	XI4-OR-0,75	6083368
SPU4.03-16-B/XI4	1~230 V, 50 Hz	XI4-OR-1,1	6083330
SPU4.03-16-B/XI4	3~400 V, 50 Hz	XI4-OR-1,1	6083369
SPU4.03-21-B/XI4	1~230 V, 50 Hz	XI4-OR-1,5	6083331
SPU4.03-21-B/XI4	3~400 V, 50 Hz	XI4-OR-1,5	6083370
SPU4.03-32-B/XI4	1~230 V, 50 Hz	XI4-OR-2,2	6083332
SPU4.03-32-B/XI4	3~400 V, 50 Hz	XI4-OR-2,2	6083371

12 Raw water intake
Single pumps

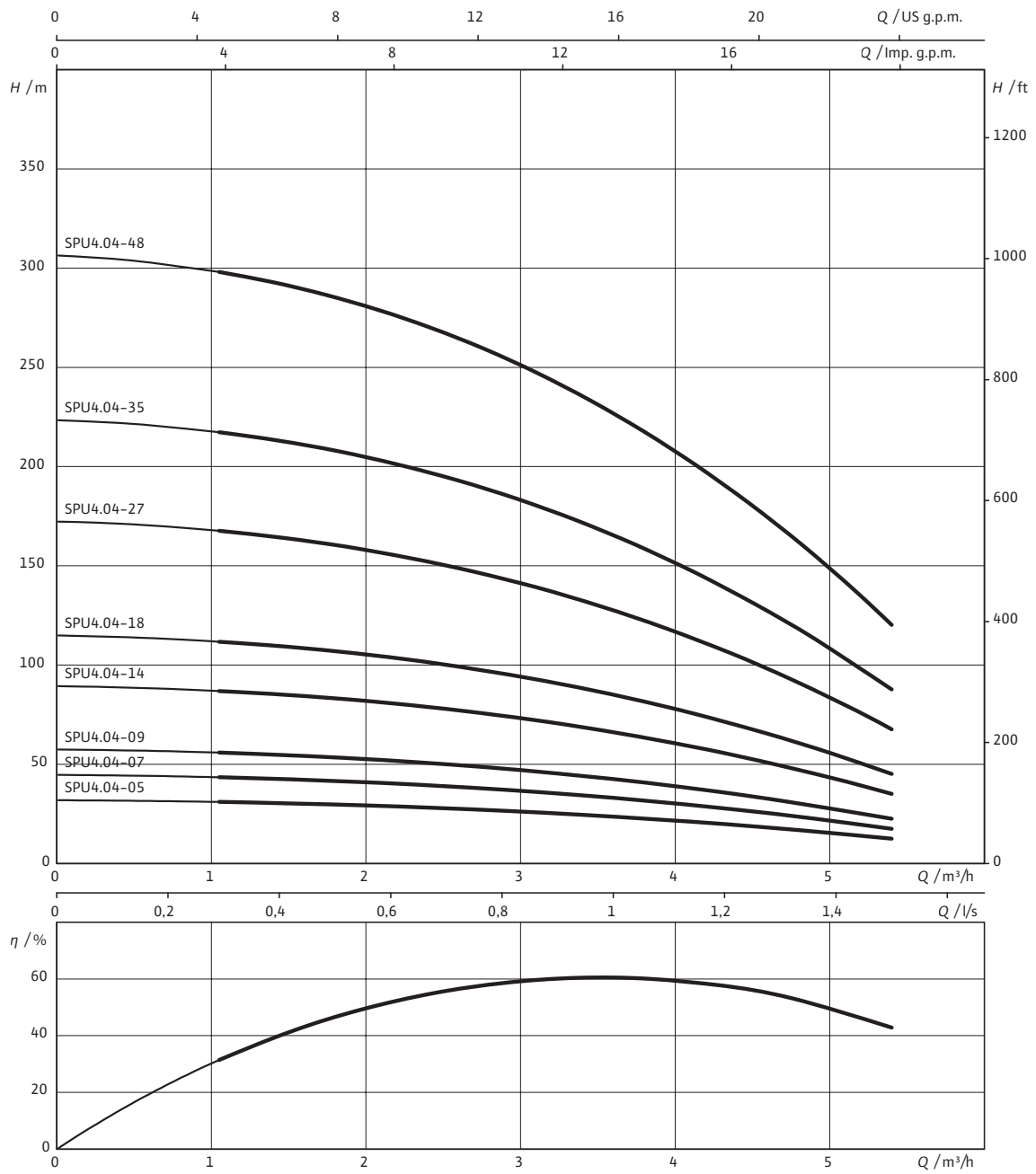
Dimension drawing Wilo-Xiro SPC



Dimensions, weights

Wilo-Actun FIRST...	Mains connection	Dimensions			Weight approx. m kg	Installation
		H1	H2 mm	H		
SPU4.03-05-B/XI4	1~230 V, 50 Hz	231	361	592	11.2	A, B, D
SPU4.03-05-B/XI4	3~400 V, 50 Hz	231	346	577	10.3	A, B, D
SPU4.03-08-B/XI4	1~230 V, 50 Hz	283	381	664	12.3	A, B, D
SPU4.03-08-B/XI4	3~400 V, 50 Hz	283	361	644	11.5	A, B, D
SPU4.03-11-B/XI4	1~230 V, 50 Hz	335	401	736	13.9	A, B, D
SPU4.03-11-B/XI4	3~400 V, 50 Hz	335	381	716	13	A, B, D
SPU4.03-16-B/XI4	1~230 V, 50 Hz	421	441	862	16.5	A, B, D
SPU4.03-16-B/XI4	3~400 V, 50 Hz	421	401	822	14.7	A, B, D
SPU4.03-21-B/XI4	1~230 V, 50 Hz	509	471	980	18.9	A, B, D
SPU4.03-21-B/XI4	3~400 V, 50 Hz	509	441	950	17.6	A, B, D
SPU4.03-32-B/XI4	1~230 V, 50 Hz	771	561	1332	26.3	A, B, D
SPU4.03-32-B/XI4	3~400 V, 50 Hz	771	471	1242	22.2	A, B, D

Pump curves FIRST-SPU4.04

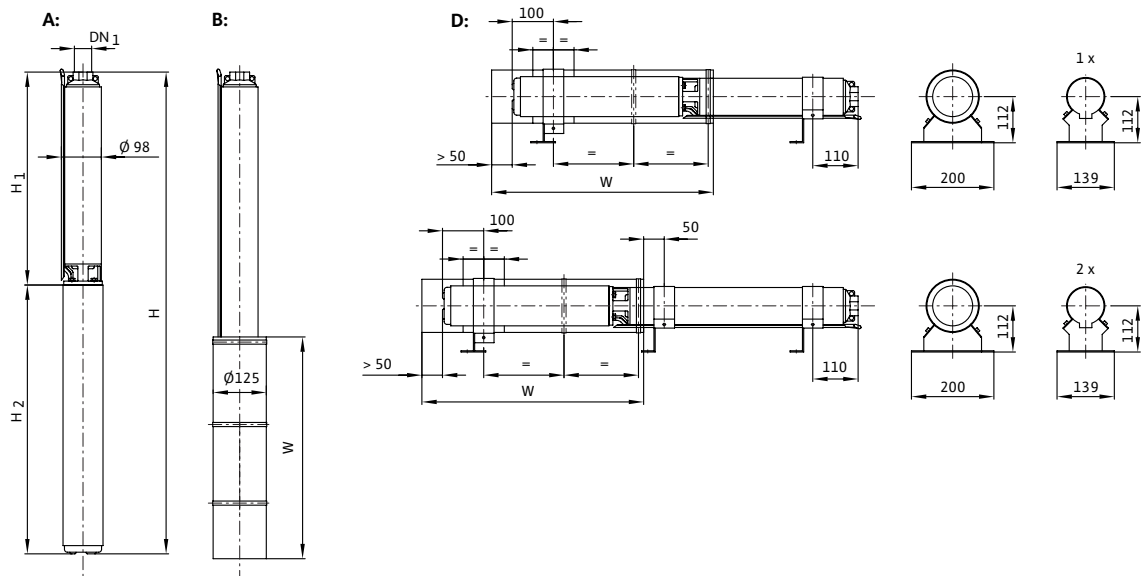


1-230 V, 50 Hz up to 2,2 kW; 3-400 V, 50 Hz, $\rho = 1 \text{ kg/dm}^3$, $\nu = 1 \times 10^{-6} \text{ m}^2/\text{s}$, ISO 9906 Annex A

Motor data						
Wilo-Actun FIRST...	Mains connection	Motor diameter	Rated power	Rated current	Length of connecting cable	Cable cross-section
		∅	P_2 kW	I_N A	m	mm ²
SPU4.04-05-B/XI4	1~230 V, 50 Hz	98	0.37	3.3	2	4x1,5
SPU4.04-05-B/XI4	3~400 V, 50 Hz	98	0.37	1.1	2	4x1,5
SPU4.04-07-B/XI4	1~230 V, 50 Hz	98	0.55	4.4	2	4x1,5
SPU4.04-07-B/XI4	3~400 V, 50 Hz	98	0.55	1.6	2	4x1,5
SPU4.04-09-B/XI4	1~230 V, 50 Hz	98	0.75	5.7	2	4x1,5
SPU4.04-09-B/XI4	3~400 V, 50 Hz	98	0.75	2	2	4x1,5
SPU4.04-14-B/XI4	1~230 V, 50 Hz	98	1.10	8.3	2	4x1,5
SPU4.04-14-B/XI4	3~400 V, 50 Hz	98	1.10	2.8	2	4x1,5
SPU4.04-18-B/XI4	1~230 V, 50 Hz	98	1.50	10.7	2	4x1,5
SPU4.04-18-B/XI4	3~400 V, 50 Hz	98	1.50	3.8	2	4x1,5
SPU4.04-27-B/XI4	1~230 V, 50 Hz	98	2.20	14.2	2	4x1,5
SPU4.04-27-B/XI4	3~400 V, 50 Hz	98	2.20	5.3	2	4x1,5
SPU4.04-35-B/XI4	3~400 V, 50 Hz	98	3.00	7.2	2	4x1,5
SPU4.04-48-B/XI4	3~400 V, 50 Hz	98	4.00	9.5	2.5	4x1,5

Information for order placements			
Wilo-Actun FIRST	Mains connection	Type of motor	Art no.
SPU4.04-05-B/XI4	1~230 V, 50 Hz	XI4-OR-0,37	6083333
SPU4.04-05-B/XI4	3~400 V, 50 Hz	XI4-OR-0,37	6083372
SPU4.04-07-B/XI4	1~230 V, 50 Hz	XI4-OR-0,55	6083334
SPU4.04-07-B/XI4	3~400 V, 50 Hz	XI4-OR-0,55	6083373
SPU4.04-09-B/XI4	1~230 V, 50 Hz	XI4-OR-0,75	6083335
SPU4.04-09-B/XI4	3~400 V, 50 Hz	XI4-OR-0,75	6083374
SPU4.04-14-B/XI4	1~230 V, 50 Hz	XI4-OR-1,1	6083336
SPU4.04-14-B/XI4	3~400 V, 50 Hz	XI4-OR-1,1	6083375
SPU4.04-18-B/XI4	1~230 V, 50 Hz	XI4-OR-1,5	6083337
SPU4.04-18-B/XI4	3~400 V, 50 Hz	XI4-OR-1,5	6083376
SPU4.04-27-B/XI4	1~230 V, 50 Hz	XI4-OR-2,2	6083338
SPU4.04-27-B/XI4	3~400 V, 50 Hz	XI4-OR-2,2	6083377
SPU4.04-35-B/XI4	3~400 V, 50 Hz	XI4-OR-3	6083378
SPU4.04-48-B/XI4	3~400 V, 50 Hz	XI4-OR-4	6083379

Dimension drawing Wilo-Xiro SPC

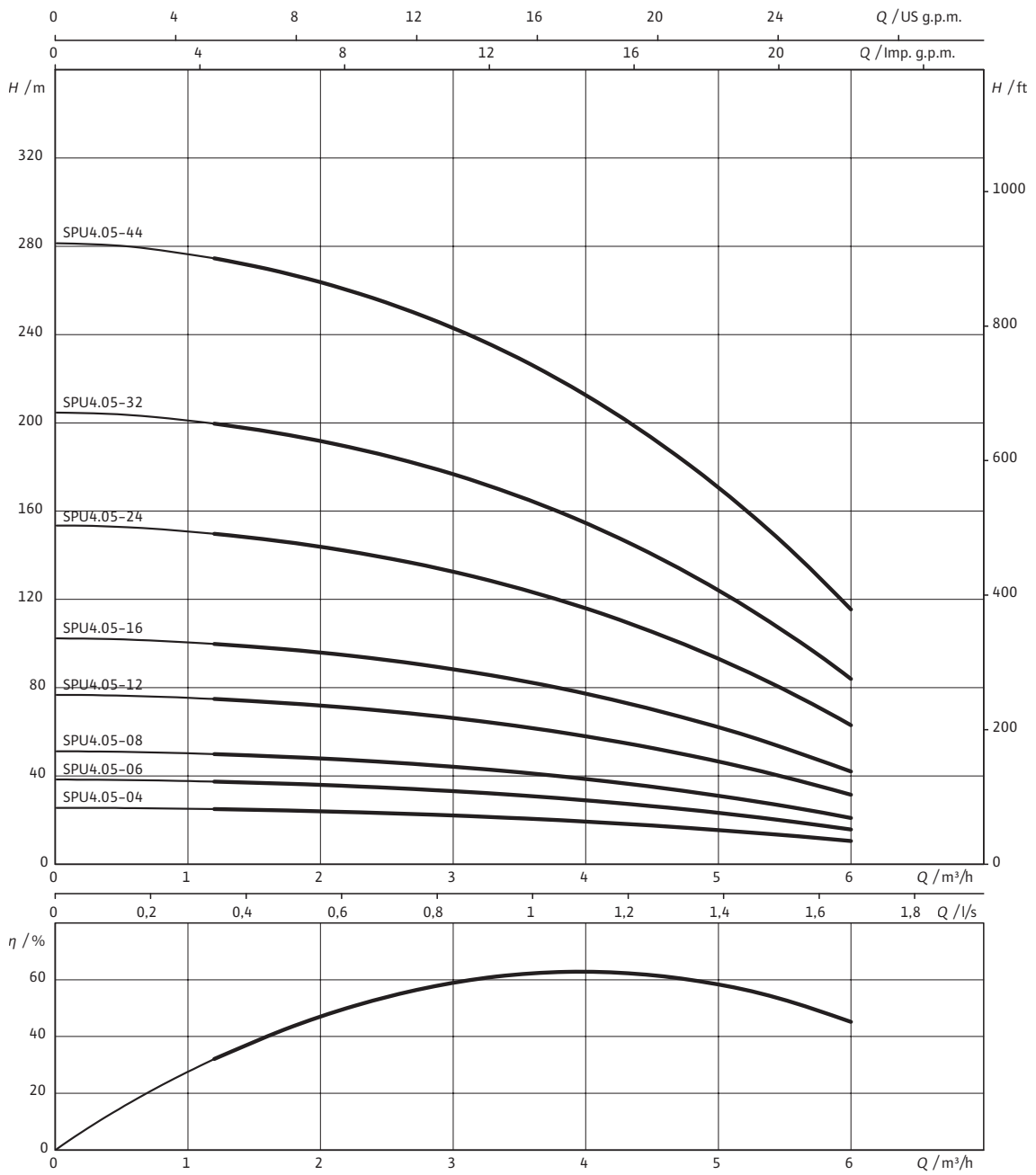


Dimensions, weights

Wilo-Actun FIRST...	Mains connection	Dimensions			Weight approx. m kg	Installation
		H1	H2 mm	H		
SPU4.04-05-B/XI4	1-230 V, 50 Hz	257	361	618	11.4	A, B, D
SPU4.04-05-B/XI4	3-400 V, 50 Hz	257	346	603	10.5	A, B, D
SPU4.04-07-B/XI4	1-230 V, 50 Hz	301	381	682	12.4	A, B, D
SPU4.04-07-B/XI4	3-400 V, 50 Hz	301	361	662	11.6	A, B, D
SPU4.04-09-B/XI4	1-230 V, 50 Hz	344	401	745	13.8	A, B, D
SPU4.04-09-B/XI4	3-400 V, 50 Hz	344	381	725	12.9	A, B, D
SPU4.04-14-B/XI4	1-230 V, 50 Hz	462	441	903	16.4	A, B, D
SPU4.04-14-B/XI4	3-400 V, 50 Hz	462	401	863	14.6	A, B, D
SPU4.04-18-B/XI4	1-230 V, 50 Hz	538	471	1009	18.5	A, B, D
SPU4.04-18-B/XI4	3-400 V, 50 Hz	538	441	979	17.2	A, B, D
SPU4.04-27-B/XI4	1-230 V, 50 Hz	805	561	1366	25.4	A, B, D
SPU4.04-27-B/XI4	3-400 V, 50 Hz	805	471	1276	21.3	A, B, D
SPU4.04-35-B/XI4	3-400 V, 50 Hz	972	530	1502	25.4	A, B, D
SPU4.04-48-B/XI4	3-400 V, 50 Hz	1291	600	1891	30.9	A, B, D

Pump with non-return valve, ¹⁾ On request, ³⁾ Max. ϕ for power cable configuration in accordance with I_n

Pump curves FIRST-SPU4.05



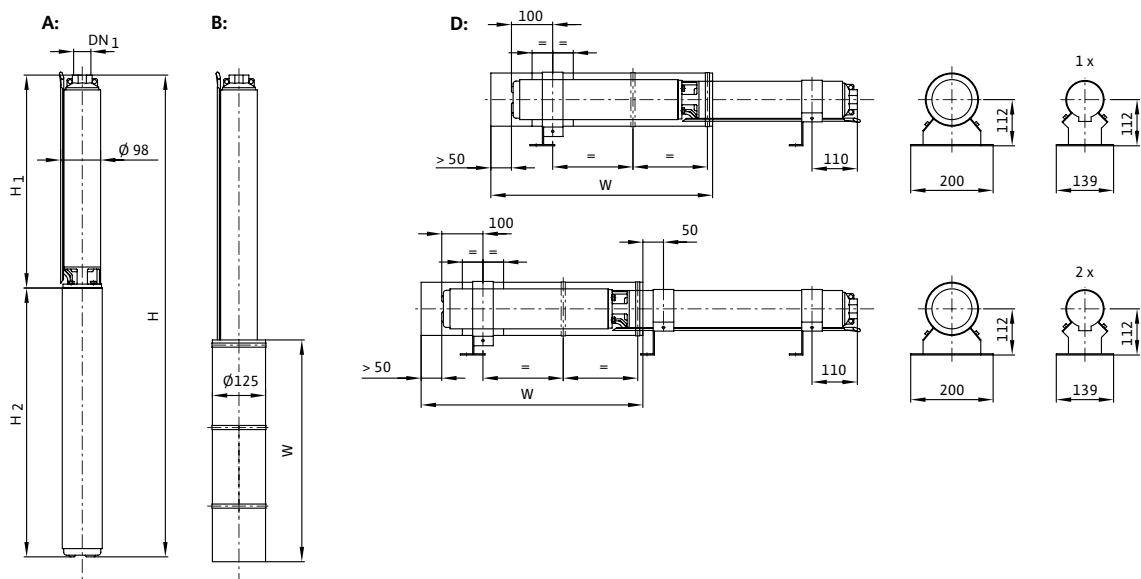
1~230 V, 50 Hz up to 2,2 kW; 3~400 V, 50 Hz, $\rho = 1 \text{ kg/dm}^3$, $\nu = 1 \times 10^{-6} \text{ m}^2/\text{s}$, ISO 9906 Annex A

Wilo Water supply catalogue – 50 Hz – edition 2017/2018 – subject to change without prior notice

Motor data						
Wilo-Actun FIRST...	Mains connection	Motor diameter	Rated power	Rated current	Length of connecting cable	Cable cross-section
		∅ "	P_2 kW	I_N A	m	mm ²
SPU4.05-04-B/XI4	1~230 V, 50 Hz	98	0.37	3.3	2	4x1,5
SPU4.05-04-B/XI4	3~400 V, 50 Hz	98	0.37	1.1	2	4x1,5
SPU4.05-06-B/XI4	1~230 V, 50 Hz	98	0.55	4.4	2	4x1,5
SPU4.05-06-B/XI4	3~400 V, 50 Hz	98	0.55	1.6	2	4x1,5
SPU4.05-08-B/XI4	1~230 V, 50 Hz	98	0.75	5.7	2	4x1,5
SPU4.05-08-B/XI4	3~400 V, 50 Hz	98	0.75	2	2	4x1,5
SPU4.05-12-B/XI4	1~230 V, 50 Hz	98	1.10	8.3	2	4x1,5
SPU4.05-12-B/XI4	3~400 V, 50 Hz	98	1.10	2.8	2	4x1,5
SPU4.05-16-B/XI4	1~230 V, 50 Hz	98	1.50	10.7	2	4x1,5
SPU4.05-16-B/XI4	3~400 V, 50 Hz	98	1.50	3.8	2	4x1,5
SPU4.05-24-B/XI4	1~230 V, 50 Hz	98	2.20	14.2	2	4x1,5
SPU4.05-24-B/XI4	3~400 V, 50 Hz	98	2.20	5.3	2	4x1,5
SPU4.05-32-B/XI4	3~400 V, 50 Hz	98	3.00	7.2	2	4x1,5
SPU4.05-44-B/XI4	3~400 V, 50 Hz	98	4.00	9.5	2.5	4x1,5

Information for order placements			
Wilo-Actun FIRST	Mains connection	Type of motor	Art no.
SPU4.05-04-B/XI4	1~230 V, 50 Hz	XI4-OR-0,37	6083339
SPU4.05-04-B/XI4	3~400 V, 50 Hz	XI4-OR-0,37	6083380
SPU4.05-06-B/XI4	1~230 V, 50 Hz	XI4-OR-0,55	6083340
SPU4.05-06-B/XI4	3~400 V, 50 Hz	XI4-OR-0,55	6083381
SPU4.05-08-B/XI4	1~230 V, 50 Hz	XI4-OR-0,75	6083341
SPU4.05-08-B/XI4	3~400 V, 50 Hz	XI4-OR-0,75	6083382
SPU4.05-12-B/XI4	1~230 V, 50 Hz	XI4-OR-1,1	6083342
SPU4.05-12-B/XI4	3~400 V, 50 Hz	XI4-OR-1,1	6083383
SPU4.05-16-B/XI4	1~230 V, 50 Hz	XI4-OR-1,5	6083343
SPU4.05-16-B/XI4	3~400 V, 50 Hz	XI4-OR-1,5	6083384
SPU4.05-24-B/XI4	1~230 V, 50 Hz	XI4-OR-2,2	6083344
SPU4.05-24-B/XI4	3~400 V, 50 Hz	XI4-OR-2,2	6083385
SPU4.05-32-B/XI4	3~400 V, 50 Hz	XI4-OR-3	6083386
SPU4.05-44-B/XI4	3~400 V, 50 Hz	XI4-OR-4	6083387

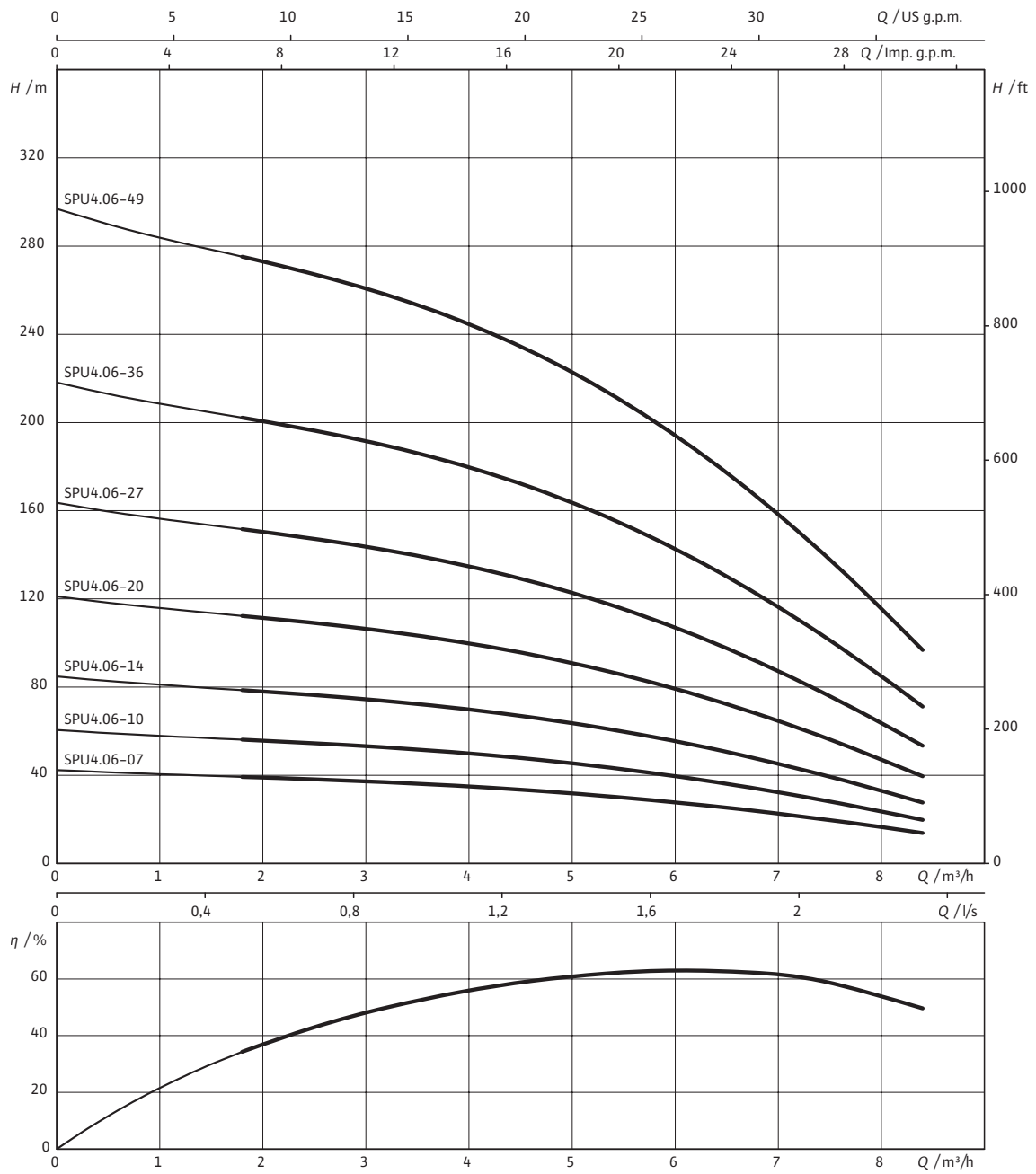
Dimension drawing Wilo-Xiro SPC



Dimensions, weights

Wilo-Actun FIRST...	Mains connection	Dimensions			Weight approx. m kg	Installation
		H1	H2 mm	H		
SPU4.05-04-B/XI4	1~230 V, 50 Hz	249	361	610	11.1	A, B, D
SPU4.05-04-B/XI4	3~400 V, 50 Hz	249	346	595	10.2	A, B, D
SPU4.05-06-B/XI4	1~230 V, 50 Hz	299	381	680	12.3	A, B, D
SPU4.05-06-B/XI4	3~400 V, 50 Hz	299	361	660	11.5	A, B, D
SPU4.05-08-B/XI4	1~230 V, 50 Hz	348	401	749	13.8	A, B, D
SPU4.05-08-B/XI4	3~400 V, 50 Hz	348	381	729	12.9	A, B, D
SPU4.05-12-B/XI4	1~230 V, 50 Hz	437	441	878	16.5	A, B, D
SPU4.05-12-B/XI4	3~400 V, 50 Hz	437	401	838	14.7	A, B, D
SPU4.05-16-B/XI4	1~230 V, 50 Hz	547	471	1018	18.9	A, B, D
SPU4.05-16-B/XI4	3~400 V, 50 Hz	547	441	988	17.6	A, B, D
SPU4.05-24-B/XI4	1~230 V, 50 Hz	823	561	1384	25.9	A, B, D
SPU4.05-24-B/XI4	3~400 V, 50 Hz	823	471	1294	21.8	A, B, D
SPU4.05-32-B/XI4	3~400 V, 50 Hz	1013	530	1543	26.3	A, B, D
SPU4.05-44-B/XI4	3~400 V, 50 Hz	1347	600	1947	32.4	A, B, D

Pump curves FIRST-SPU4.06



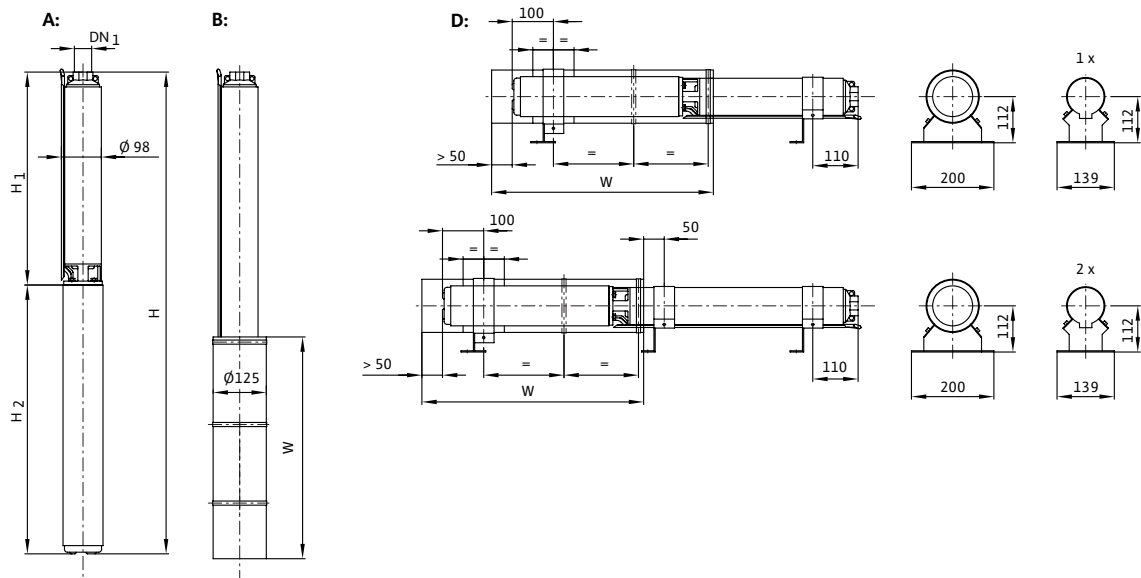
1~230 V, 50 Hz up to 2,2 kW; 3~400 V, 50 Hz, $\rho = 1 \text{ kg/dm}^3$, $\nu = 1 \times 10^{-6} \text{ m}^2/\text{s}$, ISO 9906 Annex A

Wilo Water supply catalogue – 50 Hz – edition 2017/2018 – subject to change without prior notice

Motor data						
Wilo-Actun FIRST...	Mains connection	Motor diameter	Rated power	Rated current	Length of connecting cable	Cable cross-section
		∅ "	P_2 kW	I_N A	m	mm ²
SPU4.06-07-B/XI4	1~230 V, 50 Hz	98	0.75	5.7	2	4x1,5
SPU4.06-07-B/XI4	3~400 V, 50 Hz	98	0.75	2	2	4x1,5
SPU4.06-10-B/XI4	1~230 V, 50 Hz	98	1.10	8.3	2	4x1,5
SPU4.06-10-B/XI4	3~400 V, 50 Hz	98	1.10	2.8	2	4x1,5
SPU4.06-14-B/XI4	1~230 V, 50 Hz	98	1.50	10.7	2	4x1,5
SPU4.06-14-B/XI4	3~400 V, 50 Hz	98	1.50	3.8	2	4x1,5
SPU4.06-20-B/XI4	1~230 V, 50 Hz	98	2.20	14.2	2	4x1,5
SPU4.06-20-B/XI4	3~400 V, 50 Hz	98	2.20	5.3	2	4x1,5
SPU4.06-27-B/XI4	3~400 V, 50 Hz	98	3.00	7.2	2	4x1,5
SPU4.06-36-B/XI4	3~400 V, 50 Hz	98	4.00	9.5	2.5	4x1,5
SPU4.06-49-B/XI4	3~400 V, 50 Hz	98	5.50	12.5	2.5	4x2,5

Information for order placements			
Wilo-Actun FIRST	Mains connection	Type of motor	Art no.
SPU4.06-07-B/XI4	1~230 V, 50 Hz	XI4-OR-0,75	6083345
SPU4.06-07-B/XI4	3~400 V, 50 Hz	XI4-OR-0,75	6083388
SPU4.06-10-B/XI4	1~230 V, 50 Hz	XI4-OR-1,1	6083346
SPU4.06-10-B/XI4	3~400 V, 50 Hz	XI4-OR-1,1	6083389
SPU4.06-14-B/XI4	1~230 V, 50 Hz	XI4-OR-1,5	6083347
SPU4.06-14-B/XI4	3~400 V, 50 Hz	XI4-OR-1,5	6083390
SPU4.06-20-B/XI4	1~230 V, 50 Hz	XI4-OR-2,2	6083348
SPU4.06-20-B/XI4	3~400 V, 50 Hz	XI4-OR-2,2	6083391
SPU4.06-27-B/XI4	3~400 V, 50 Hz	XI4-OR-3	6083392
SPU4.06-36-B/XI4	3~400 V, 50 Hz	XI4-OR-4	6083393
SPU4.06-49-B/XI4	3~400 V, 50 Hz	XI4-OR-5,5	6083394

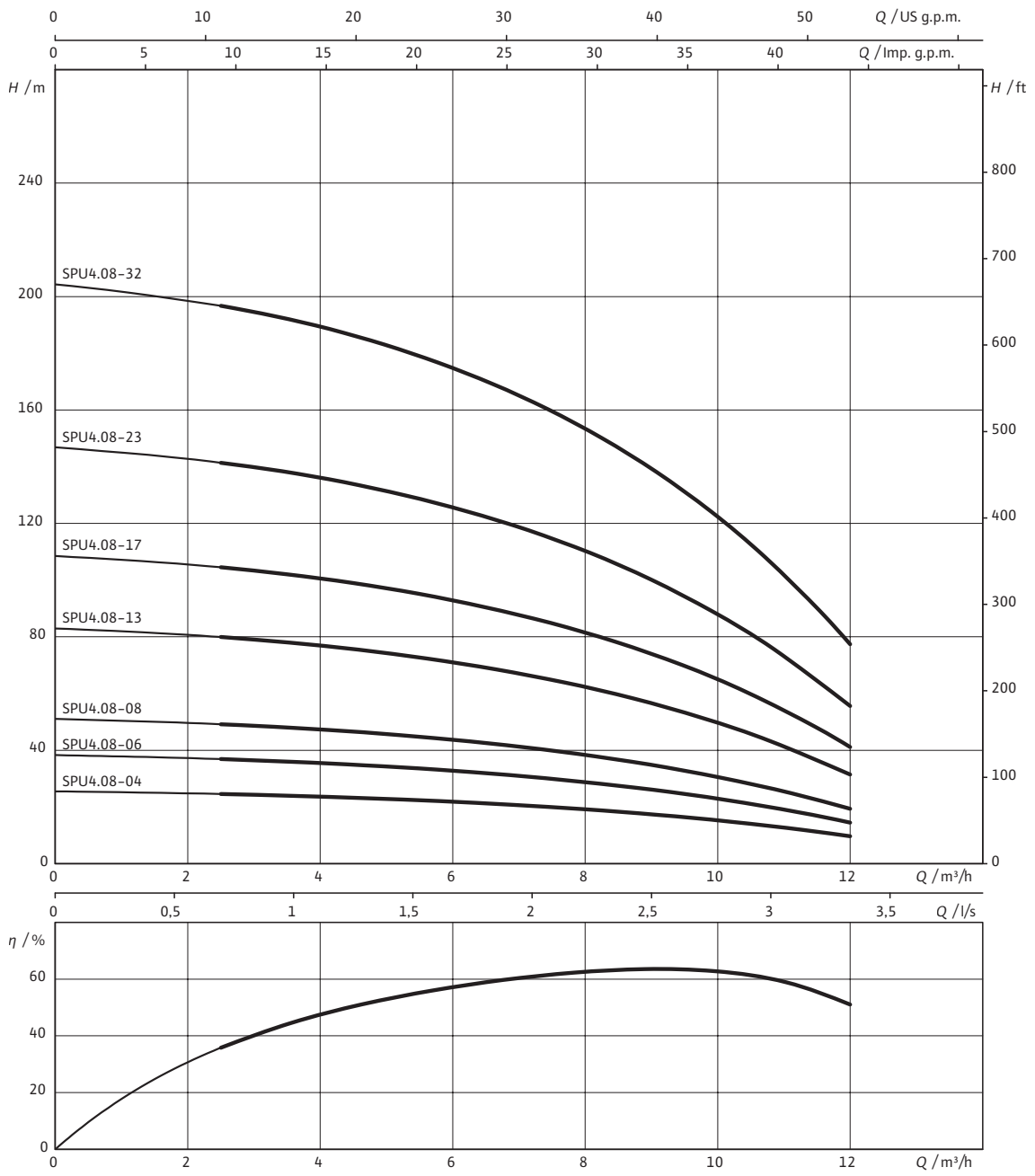
Dimension drawing Wilo-Xiro SPC



Dimensions, weights

Wilo-Actun FIRST...	Mains connection	Dimensions			Weight approx. m kg	Installation
		H1	H2 mm	H		
SPU4.06-07-B/XI4	1~230 V, 50 Hz	394	401	795	14.3	A, B, D
SPU4.06-07-B/XI4	3~400 V, 50 Hz	394	381	775	13.4	A, B, D
SPU4.06-10-B/XI4	1~230 V, 50 Hz	488	441	929	17	A, B, D
SPU4.06-10-B/XI4	3~400 V, 50 Hz	488	401	889	15.2	A, B, D
SPU4.06-14-B/XI4	1~230 V, 50 Hz	613	471	1084	19.7	A, B, D
SPU4.06-14-B/XI4	3~400 V, 50 Hz	613	441	1054	18.4	A, B, D
SPU4.06-20-B/XI4	1~230 V, 50 Hz	839	561	1400	25.9	A, B, D
SPU4.06-20-B/XI4	3~400 V, 50 Hz	839	471	1310	21.8	A, B, D
SPU4.06-27-B/XI4	3~400 V, 50 Hz	1097	530	1627	27.3	A, B, D
SPU4.06-36-B/XI4	3~400 V, 50 Hz	1370	600	1970	33.6	A, B, D
SPU4.06-49-B/XI4	3~400 V, 50 Hz	1858	655	2513	40.2	A, B, D

Pump curves FIRST-SPU4.08

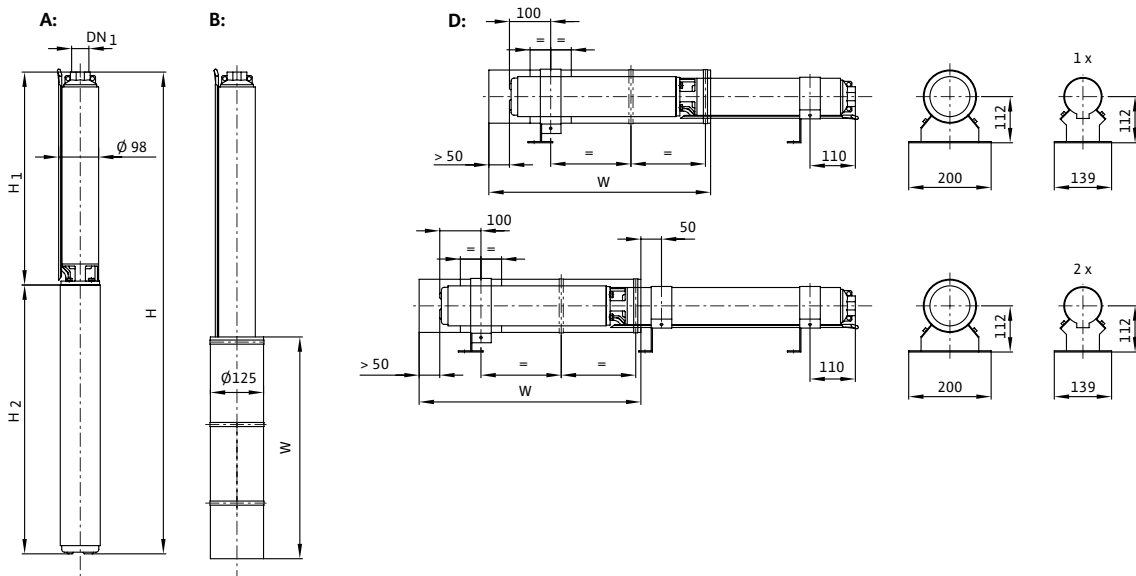


1~230 V, 50 Hz up to 2,2 kW; 3~400 V, 50 Hz, $\rho = 1 \text{ kg/dm}^3$, $\nu = 1 \times 10^{-6} \text{ m}^2/\text{s}$, ISO 9906 Annex A

Motor data						
Wilo-Actun FIRST...	Mains connection	Motor diameter	Rated power	Rated current	Length of connecting cable	Cable cross-section
		\varnothing "	P_2 kW	I_N A	m	mm ²
SPU4.08-04-B/XI4	1~230 V, 50 Hz	98	0.75	5.7	2	4x1,5
SPU4.08-04-B/XI4	3~400 V, 50 Hz	98	0.75	2	2	4x1,5
SPU4.08-06-B/XI4	3~400 V, 50 Hz	98	1.10	2.8	2	4x1,5
SPU4.08-06-B/XI4	1~230 V, 50 Hz	98	1.10	8.3	2	4x1,5
SPU4.08-08-B/XI4	1~230 V, 50 Hz	98	1.50	10.7	2	4x1,5
SPU4.08-08-B/XI4	3~400 V, 50 Hz	98	1.50	3.8	2	4x1,5
SPU4.08-13-B/XI4	1~230 V, 50 Hz	98	2.20	14.2	2	4x1,5
SPU4.08-13-B/XI4	3~400 V, 50 Hz	98	2.20	5.3	2	4x1,5
SPU4.08-17-B/XI4	3~400 V, 50 Hz	98	3.00	7.2	2	4x1,5
SPU4.08-23-B/XI4	3~400 V, 50 Hz	98	4.00	9.5	2.5	4x1,5
SPU4.08-32-B/XI4	3~400 V, 50 Hz	98	5.50	12.5	2.5	4x2,5

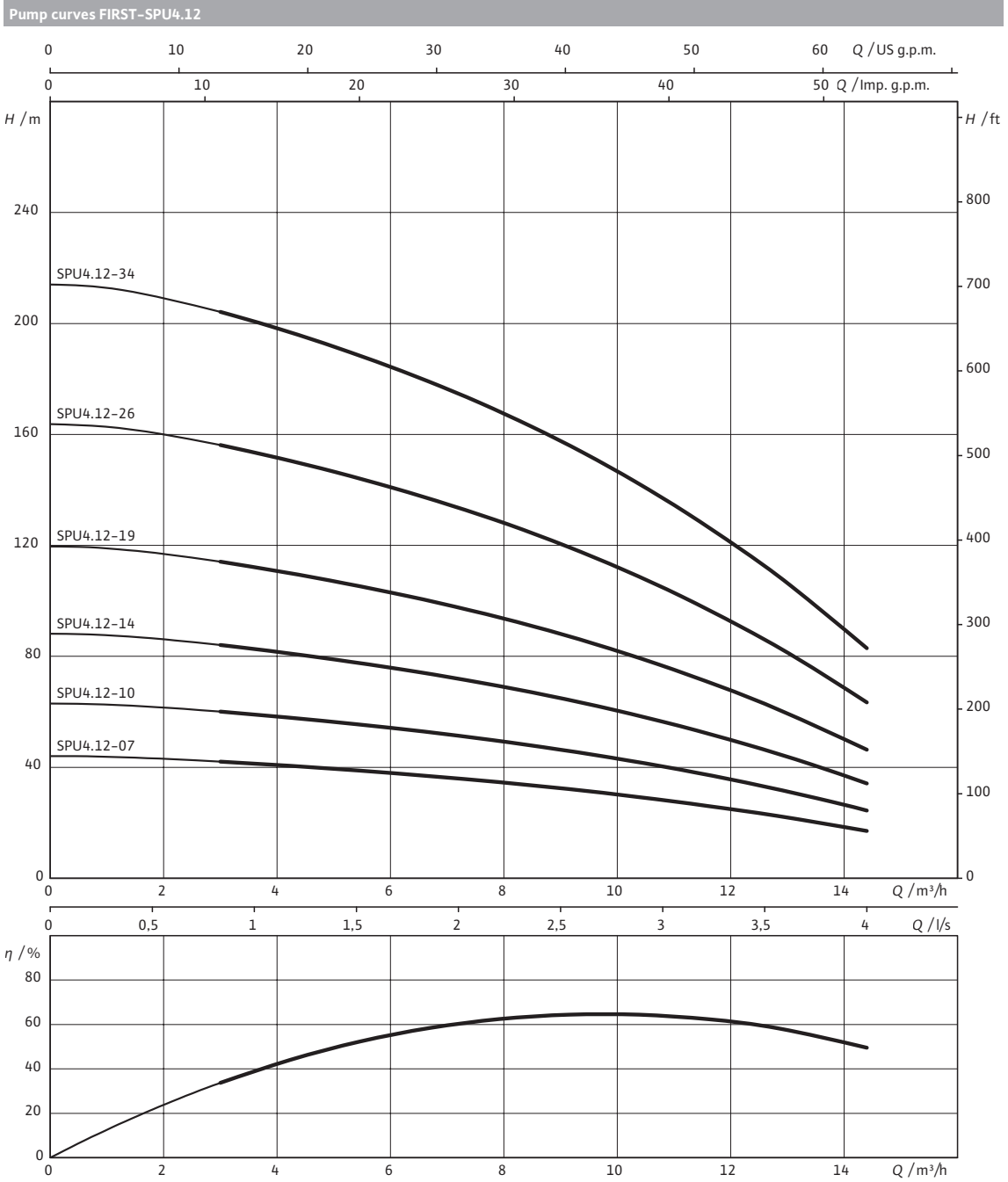
Information for order placements			
Wilo-Actun FIRST	Mains connection	Type of motor	Art no.
SPU4.08-04-B/XI4	1~230 V, 50 Hz	XI4-OR-0,75	6083349
SPU4.08-04-B/XI4	3~400 V, 50 Hz	XI4-OR-0,75	6083395
SPU4.08-06-B/XI4	1~230 V, 50 Hz	XI4-OR-1,1	6083350
SPU4.08-06-B/XI4	3~400 V, 50 Hz	XI4-OR-1,1	6083396
SPU4.08-08-B/XI4	1~230 V, 50 Hz	XI4-OR-1,5	6083351
SPU4.08-08-B/XI4	3~400 V, 50 Hz	XI4-OR-1,5	6083397
SPU4.08-13-B/XI4	1~230 V, 50 Hz	XI4-OR-2,2	6083352
SPU4.08-13-B/XI4	3~400 V, 50 Hz	XI4-OR-2,2	6083398
SPU4.08-17-B/XI4	3~400 V, 50 Hz	XI4-OR-3	6083399
SPU4.08-23-B/XI4	3~400 V, 50 Hz	XI4-OR-4	6083500
SPU4.08-32-B/XI4	3~400 V, 50 Hz	XI4-OR-5,5	6083501

Dimension drawing Wilo-Xiro SPC



Dimensions, weights

Wilo-Actun FIRST...	Mains connection	Dimensions			Weight approx. m kg	Installation
		H1	H2 mm	H		
SPU4.08-04-B/XI4	1~230 V, 50 Hz	297	401	698	13.4	A, B, D
SPU4.08-04-B/XI4	3~400 V, 50 Hz	297	381	678	12.5	A, B, D
SPU4.08-06-B/XI4	1~230 V, 50 Hz	362	441	803	15.8	A, B, D
SPU4.08-06-B/XI4	3~400 V, 50 Hz	362	401	763	14	A, B, D
SPU4.08-08-B/XI4	1~230 V, 50 Hz	422	471	893	18	A, B, D
SPU4.08-08-B/XI4	3~400 V, 50 Hz	422	441	863	16.7	A, B, D
SPU4.08-13-B/XI4	1~230 V, 50 Hz	579	561	1140	23.9	A, B, D
SPU4.08-13-B/XI4	3~400 V, 50 Hz	579	471	1050	19.8	A, B, D
SPU4.08-17-B/XI4	3~400 V, 50 Hz	704	530	1234	23.3	A, B, D
SPU4.08-23-B/XI4	3~400 V, 50 Hz	969	600	1569	29.8	A, B, D
SPU4.08-32-B/XI4	3~400 V, 50 Hz	1289	655	1944	35.3	A, B, D



Water supply

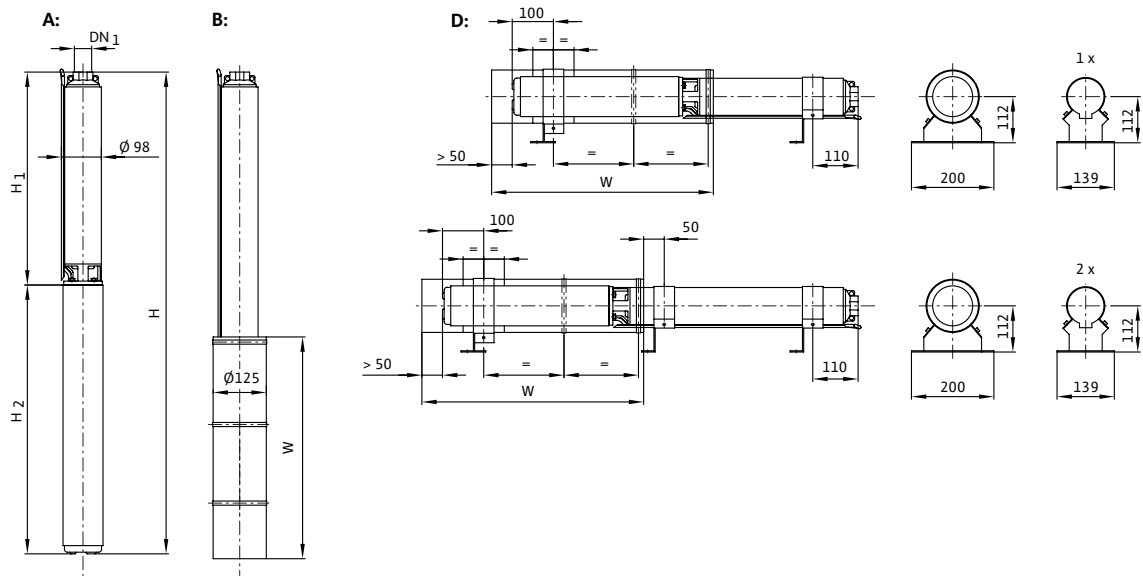
1~230 V, 50 Hz up to 2,2 kW; 3~400 V, 50 Hz, $\rho = 1 \text{ kg/dm}^3$, $\nu = 1 \times 10^{-6} \text{ m}^2/\text{s}$, ISO 9906 Annex A

Wilo Water supply catalogue – 50 Hz – edition 2017/2018 – subject to change without prior notice

Motor data						
Wilo-Actun FIRST...	Mains connection	Motor diameter ∅ "	Rated power P_2 kW	Rated current I_N A	Length of connecting cable m	Cable cross-section mm ²
SPU4.12-07-B/XI4	1~230 V, 50 Hz	98	1.50	10.7	2	4x1,5
SPU4.12-07-B/XI4	3~400 V, 50 Hz	98	1.50	3.8	2	4x1,5
SPU4.12-10-B/XI4	1~230 V, 50 Hz	98	2.20	14.2	2	4x1,5
SPU4.12-10-B/XI4	3~400 V, 50 Hz	98	2.20	5.3	2	4x1,5
SPU4.12-14-B/XI4	3~400 V, 50 Hz	98	3.00	7.2	2	4x1,5
SPU4.12-19-B/XI4	3~400 V, 50 Hz	98	4.00	9.5	2.5	4x1,5
SPU4.12-26-B/XI4	3~400 V, 50 Hz	98	5.50	12.5	2.5	4x2,5
SPU4.12-34-B/XI4	3~400 V, 50 Hz	98	7.50	16.9	2.5	4x2,5

Information for order placements			
Wilo-Actun FIRST	Mains connection	Type of motor	Art no.
SPU4.12-07-B/XI4	1~230 V, 50 Hz	XI4-OR-1,5	6083353
SPU4.12-07-B/XI4	3~400 V, 50 Hz	XI4-OR-1,5	6083502
SPU4.12-10-B/XI4	1~230 V, 50 Hz	XI4-OR-2,2	6083354
SPU4.12-10-B/XI4	3~400 V, 50 Hz	XI4-OR-2,2	6083503
SPU4.12-14-B/XI4	3~400 V, 50 Hz	XI4-OR-3	6083504
SPU4.12-19-B/XI4	3~400 V, 50 Hz	XI4-OR-4	6083505
SPU4.12-26-B/XI4	3~400 V, 50 Hz	XI4-OR-5,5	6083506
SPU4.12-34-B/XI4	3~400 V, 50 Hz	XI4-OR-7,5	6083842

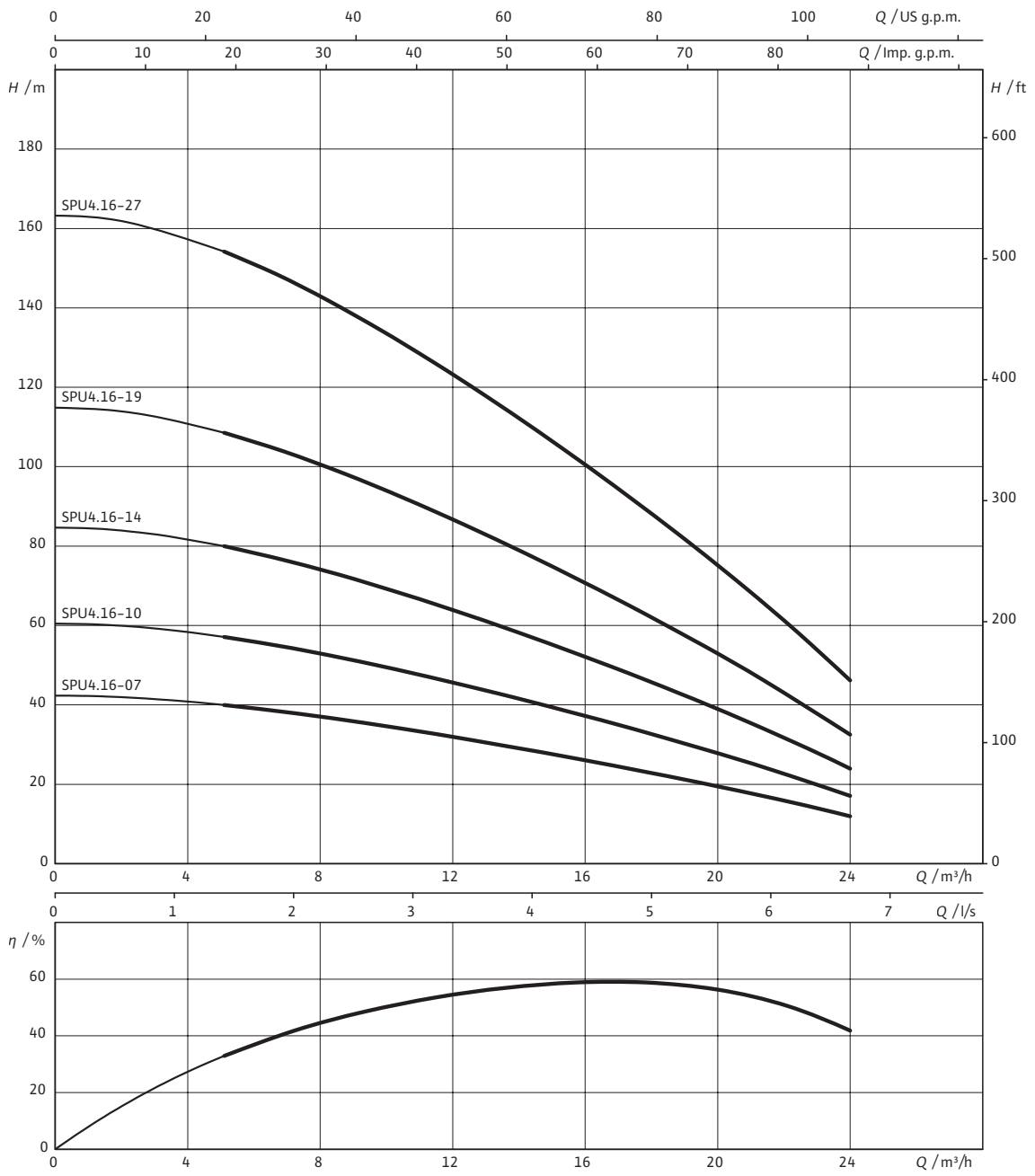
Dimension drawing Wilo-Xiro SPC



Dimensions, weights

Wilo-Actun FIRST...	Mains connection	Dimensions			Weight approx. m kg	Installation
		H1	H2 mm	H		
SPU4.12-07-B/XI4	1~230 V, 50 Hz	550	471	1021	19.4	A, B, D
SPU4.12-07-B/XI4	3~400 V, 50 Hz	550	441	991	18.1	A, B, D
SPU4.12-10-B/XI4	1~230 V, 50 Hz	711	561	1272	25.2	A, B, D
SPU4.12-10-B/XI4	3~400 V, 50 Hz	711	471	1182	21.1	A, B, D
SPU4.12-14-B/XI4	3~400 V, 50 Hz	1019	530	1549	25.5	A, B, D
SPU4.12-19-B/XI4	3~400 V, 50 Hz	1270	600	1870	32.7	A, B, D
SPU4.12-26-B/XI4	3~400 V, 50 Hz	1645	655	2300	39	A, B, D
SPU4.12-34-B/XI4	3~400 V, 50 Hz	2070	795	2865	49.3	A, B, D

Pump curves FIRST-SPU4.16

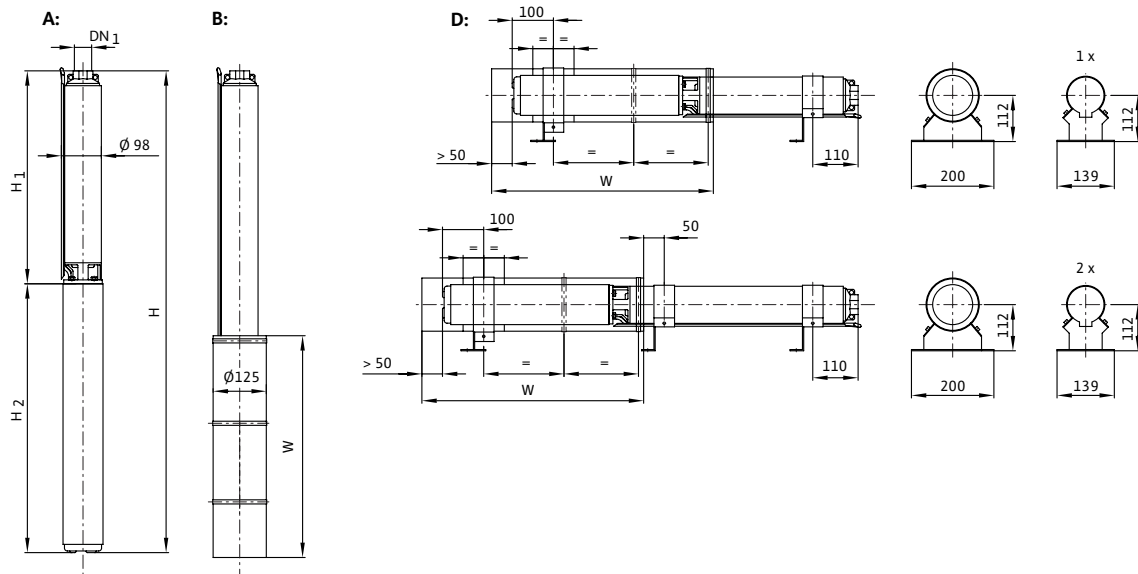


1~230 V, 50 Hz up to 2,2 kW; 3~400 V, 50 Hz, $\rho = 1 \text{ kg/dm}^3$, $\nu = 1 \times 10^{-6} \text{ m}^2/\text{s}$, ISO 9906 Annex A

Wilo Water supply catalogue – 50 Hz – edition 2017/2018 – subject to change without prior notice

Motor data						
Wilo-Actun FIRST...	Mains connection	Motor diameter	Rated power	Rated current	Length of connecting cable	Cable cross-section
		\varnothing	P_2 kW	I_N A	m	mm ²
SPU4.16-07-B/XI4	1~230 V, 50 Hz	98	2.20	14.2	2	4x1,5
SPU4.16-07-B/XI4	3~400 V, 50 Hz	98	2.20	5.3	2	4x1,5
SPU4.16-10-B/XI4	3~400 V, 50 Hz	98	3.00	7.2	2	4x1,5
SPU4.16-14-B/XI4	3~400 V, 50 Hz	98	4.00	9.5	2.5	4x1,5
SPU4.16-19-B/XI4	3~400 V, 50 Hz	98	5.50	12.5	2.5	4x2,5
SPU4.16-27-B/XI4	3~400 V, 50 Hz	98	7.50	16.9	2.5	4x2,5

Dimension drawing Wilo-Xiro SPC



Dimensions, weights						
Wilo-Actun FIRST...	Mains connection	Dimensions			Weight approx. m kg	Installation
		H1	H2 mm	H		
SPU4.16-07-B/XI4	1~230 V, 50 Hz	614	561	1175	23.8	A, B, D
SPU4.16-07-B/XI4	3~400 V, 50 Hz	614	471	1085	19.7	A, B, D
SPU4.16-10-B/XI4	3~400 V, 50 Hz	822	530	1352	23.9	A, B, D
SPU4.16-14-B/XI4	3~400 V, 50 Hz	1092	600	1692	29.9	A, B, D
SPU4.16-19-B/XI4	3~400 V, 50 Hz	1435	655	2090	35.8	A, B, D
SPU4.16-27-B/XI4	3~400 V, 50 Hz	1975	795	2770	47	A, B, D