

IMMERSION ADJUSTABLE THERMOSTAT

SERIES TIA100

ESBE TIA100 is an ON/OFF thermostat with immersion pocket intended for automatic temperature control in heating devices.



TIA122

OPERATION

The ESBE TIA100 is a ON/OFF thermostat, consisting of temperature probe connected to a switch. The switch can be used to control ON/OFF, based on the temperature measurement, any electrical device e.g. pump, boiler, etc.

FUNCTION

The thermostat has a temperature setting via knob in a range 0°C - 90°C. According to the temperature setting the TIA100 can control e.g. boiler in ON/OFF working principle. The temperature is measured via the sensor and when the set temperature is reached the switch is released and the device which is connected to the TIA100 is turned off.

MOUNTING

The TIA100 can be mounted directly on any device which has a place for the immersion pocket and sensor.

TECHNICAL DATA

Contacts rating: _____ [C-1] 10(2,5)A NC/250V~
 _____ [C-2] 6(2,5)A NC/250V~
 Enclosure rating: _____ IP40
 Control range: _____ 0 ± 5°C - 90 ± 3°C
 Maximum ambient temperature: _____ 80°C
 Maximum bulb temperature: _____ 125°C
 Temperature differential: _____ ΔT 4 ± 1K

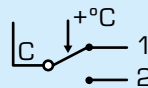
Material

Cover: _____ Plastic
 Sensor: _____ Copper

CE LVD 2014/35/EU
 RoHS3 2015/863/EU
 PED 2014/68/EU, Annex III - Module H1

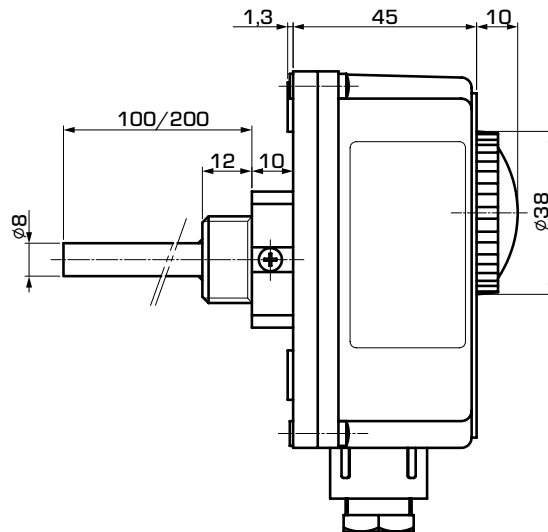
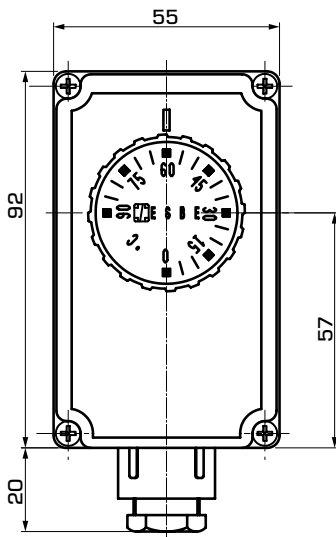


WIRING



Connections

Terminal 1 = opens the circuit when temperature raises
 Terminal 2 = closes the circuit when temperature raises
 Terminal C = common contact



SERIES TIA100

Art. No.	Reference	Immersion sleeve [mm]	Connection	Weight [kg]	Note
86901100	TIA122	100	G 1/2"	0,23	
86901200		200		0,25	